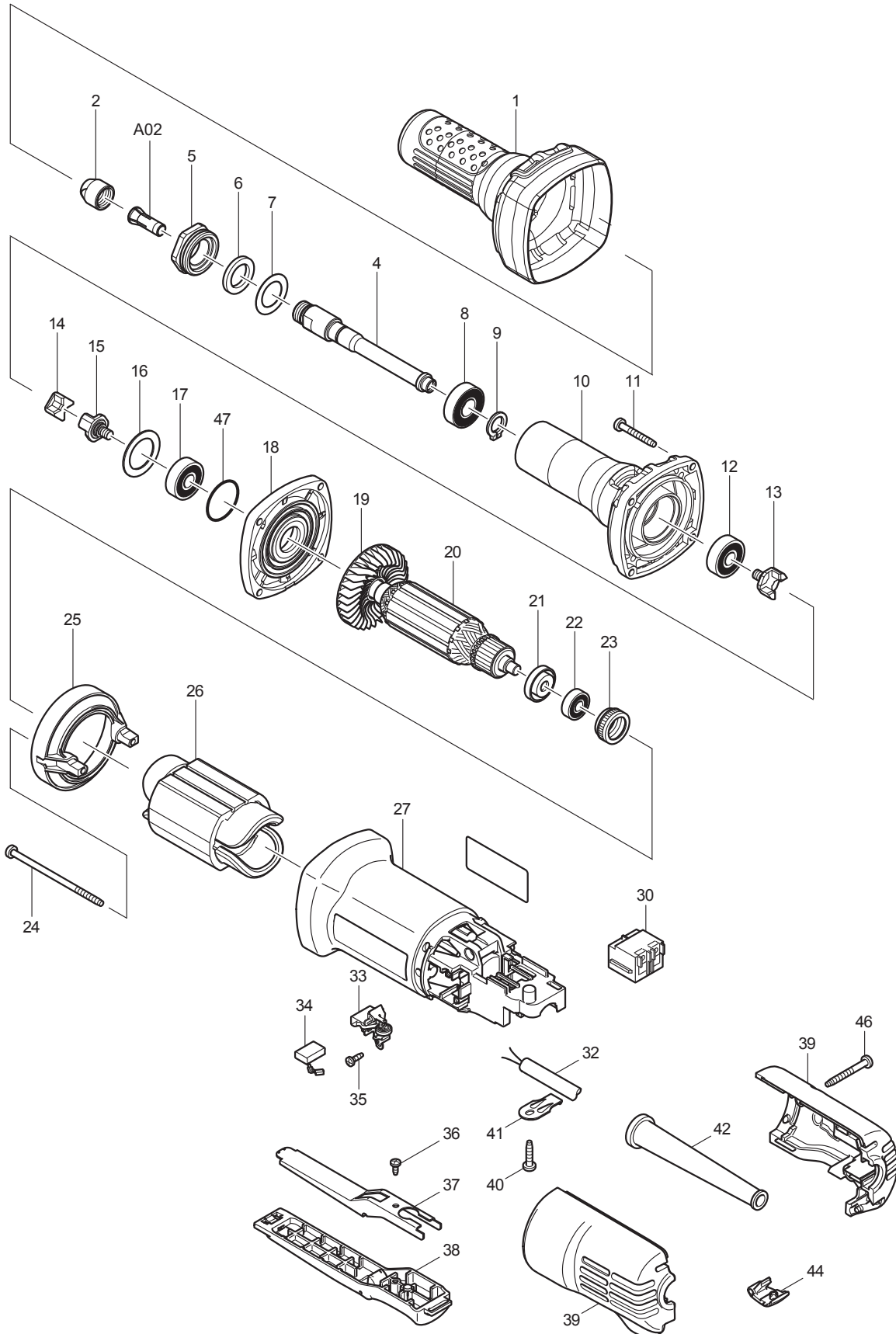




09-2010  
GD0600  
1/4" DIE GRINDER



## PARTS LIST

Item No	Type	Part No	Description	Qty	Unit
001		421943-7	INSULATION COVER	1	PC.
002		763664-8	COLLET NUT 6	1	PC.
004		324638-0	SPINDLE	1	PC.
005		317999-5	BEARING RETAINER	1	PC.
006		443124-3	FELT RING 17	1	PC.
007		267329-9	FLAT WASHER 18	1	PC.
008		210106-8	BALL BEARING 6001LLB	1	PC.
009		961052-5	RETAINING RING S-12	1	PC.
010		318000-9	BARREL	1	PC.
011		266361-0	TAPPING SCREW 4X30	4	PC.
012		210042-8	BALL BEARING 629LLB	1	PC.
013		324639-8	COUPLING	1	PC.
014		421942-9	SPACER	1	PC.
015		324639-8	COUPLING	1	PC.
016		267126-3	FLAT WASHER 22	1	PC.
017		210042-8	BALL BEARING 629LLB	1	PC.
018		317821-6	GEAR HOUSING COVER	1	PC.
019		240076-7	FAN 56	1	PC.
020		515676-5	ARMATURE ASS'Y 115V	1	PC.
020	INC.		Item No. 19,21,22		
021		681636-0	INSULATION WASHER	1	PC.
022		210034-7	BALL BEARING 607LLB	1	PC.
023	2	422768-2	LABYRINTH RUBBER RING 19	1	PC.
024		266345-8	TAPPING SCREW 4X80	2	PC.
025	2	457791-8	BAFFLE PLATE	1	PC.
026		621721-7	FIELD 115V	1	PC.
027	4	143993-9	MOTOR HOUSING COMPLETE	1	PC.
027	4	INC. 8081R6-2	CAUTION LABEL	1	PC.
028		862168-8	NAME PLATE F/ GD0600	1	PC.
030	2	650579-7	SWITCH 1246.3223, SINGLE, BROWN	1	PC.
032		664891-9	CORD WITH PLUG 2P-18-2.5M SJ	1	PC.
033		643760-7	BRUSH HOLDER	2	PC.
034	2	195001-2	CARBON BRUSH CB-325 2PC/SET (W/ ORIGIN)	1	SET
034	3	194074-2	CARBON BRUSH CB-325 2PC/SET (W/ ORIGIN)	1	SET
035		266007-8	TAPPING SCREW BIND PT 3X10	4	PC.
036	2	266492-5	TAPPING SCREW 3X8	1	PC.
037		345504-8	PLATE	1	PC.
038		154583-3	SWITCH LEVER A COMPLETE	1	PC.

Item No	Type	Part No	Description	Qty	Unit
039	1	183943-2	REAR COVER SET	1	PC.
039	2	183U00-2	REAR COVER SET	1	PC.
040		266326-2	TAPPING SCREW 4X18	1	PC.
041		687169-3	STRAIN RELIEF	1	PC.
042		682559-5	CORD GUARD 8	1	PC.
044		419057-4	CAP	1	PC.
046		266351-3	TAPPING SCREW 4X35	2	PC.
047		213445-5	O-RING 26	1	PC.
A01		781039-9	WRENCH 13	2	PC.
A02		763625-8	COLLET CONE 1/4'	1	PC.
A02	Opt.	763626-6	COLLET CONE 1/8"	1	PC.
A03		192985-5	SIDE HANDLE SET	1	PC.
A03	INC.	152521-9	GRIP 36 COMPLETE	1	PC.
A03	INC.	415485-1	GRIP BASE	1	PC.
A03	INC.	921919-9	HEX. BOLT M8X110	1	PC.
A04		---	ABRASIVE FLAP WHEELS		
A05		---	CARBIDE BURRS		